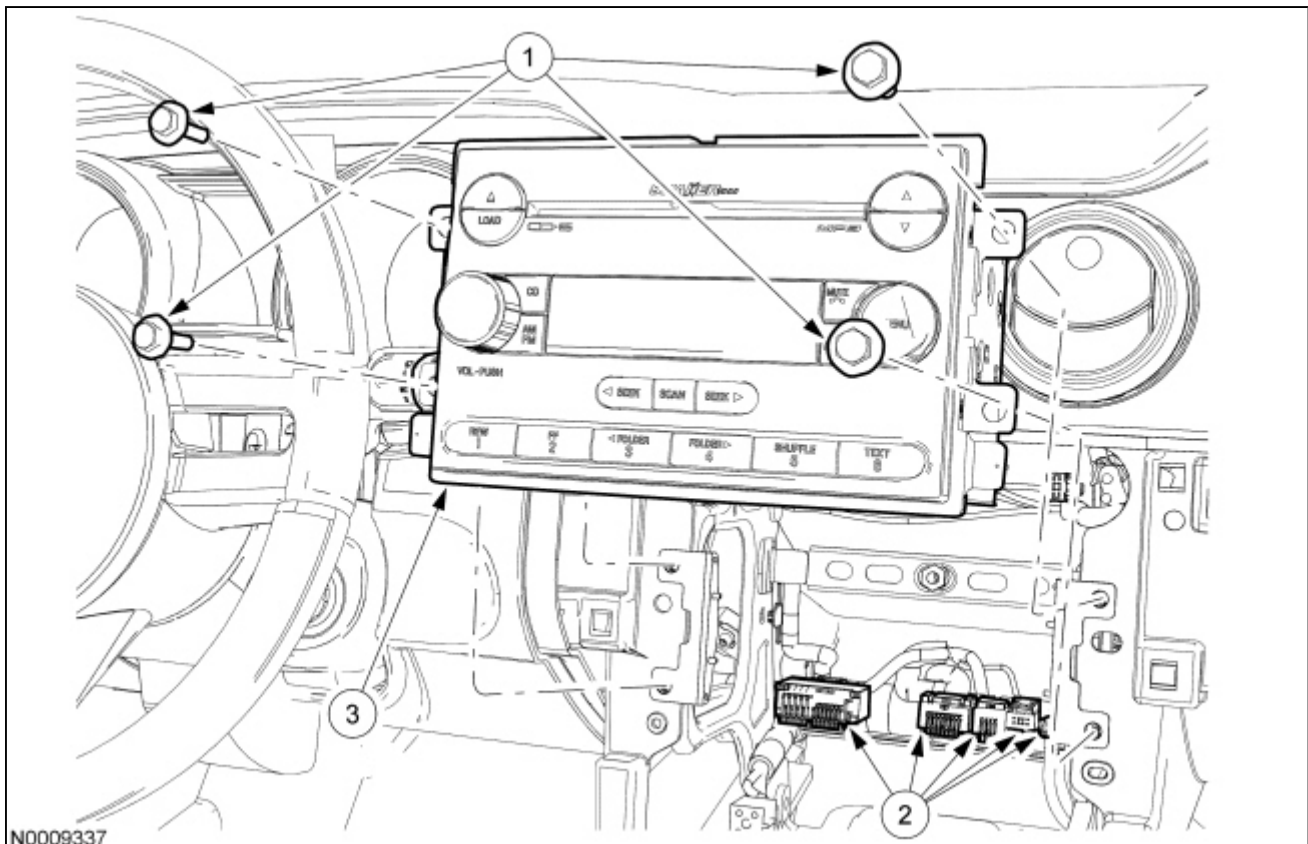


## Audio Control Module (ACM)



Item	Part Number	Description
1	W705314S	Audio Control Module (ACM) screws (4 required)
2	—	<a href="#">ACM</a> electrical connectors (part of 14401)
3	18C815	<a href="#">ACM</a>

### Removal and Installation

**NOTE:** It is not necessary to remove the Audio Control Module (ACM) to retrieve the part number. For additional information, refer to [Audio Unit Part Number Retrieval](#) in this section.

**NOTE:** If installing a new navigation [ACM](#), remove the navigation DVD, if possible, before sending the [ACM](#) to an authorized audio system repair facility.

- NOTE:** Module configuration is only required if a new [ACM](#) is being installed.

Upload the [ACM](#) configuration information to the scan tool. For additional information, refer to [Section 418-01](#), to carry out Programmable Module Installation (PMI).

- Remove the instrument panel center finish panel. For additional information, refer to [Section 501-12](#).
- Remove the 4 screws and the [ACM](#).
  - Disconnect the electrical connectors and the antenna lead-in cable.
- To install, reverse the removal procedure.
  - Download the configuration information to the [ACM](#). For additional information, refer to [Section 418-01](#), to carry out [PMI](#).

